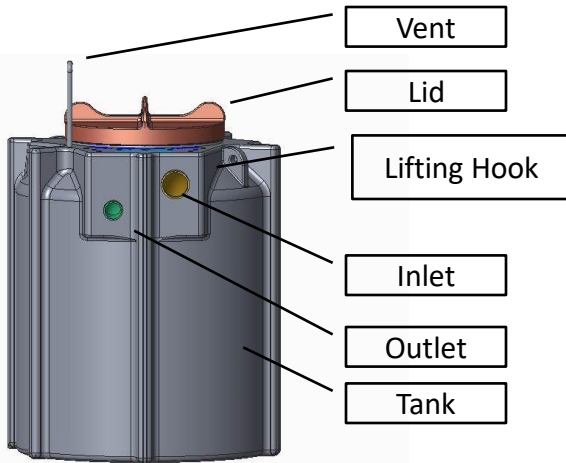


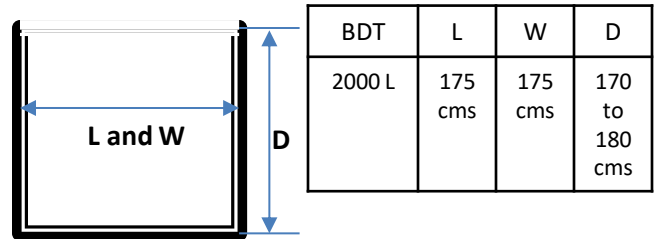
Bio-Digester Tank Installation Instructions- All Models

1. Bio-Digester Tank (BDT)



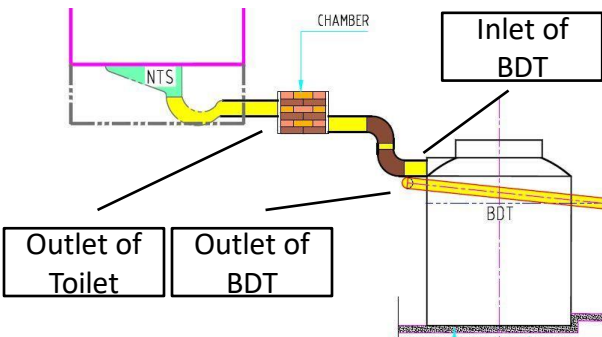
2. Excavation

Dig a pit of dimensions as below and ensure that bottom has a padded surface of 50 mm fine sand or cement layer of 50 mm thick is provided. Allow enough clearance around the BDT to properly place and compact back-fill around the tank.



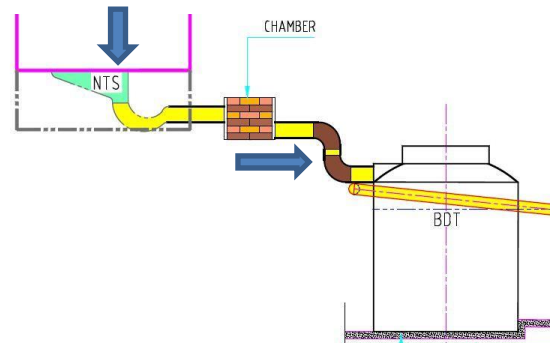
3. BDT Connections

Toilet outlet pipe to be connected to inlet of BDT. Chamber is optional and may be used when multiple toilets are to be connected. Outlet of BDT to be connected to Drainage line / Reed Bed.



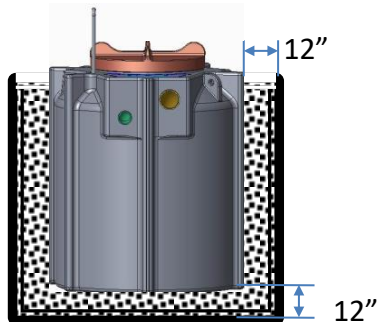
4. Charging of AMI (Bacteria)

AMI (Bacteria) to be poured through the connected toilet pan. Normally it is 30% of the BDT Volume.



5. Back Filling

BDT must be embedded & back filled 12" around the tank using fine gravel. Always compact ends first. First back fill evenly around the BDT to avoid shifting of the BDT tank from side to side.



6. Do's and Don'ts

A. Do's

- ✓ Always use PVC solvent for PVC pipe connections.
- ✓ Ensure flat, even and rigid ground surface before installing BDT.
- ✓ Vent Pipe to be always open to air.

B. Don'ts

- ✗ Never open the lid of BDT or break the weld seal. Never lift the filled BDT.
- ✗ Do not install BDT in water saturated clay / mud or at sites having high water level.
- ✗ Do not operate BDT over its operating range of 5° to 50° C.